

G1G146-BA07-52

EC centrifugal fan

forward curved, single net
with housing (fan)



ebm-papst Mulfingen GmbH & Co. KG

Bachmühle 2

D-74673 Mulfingen

Phone +49(0)7938/81-0

Fax +49(0)7938/81-110

info1@de.ebmpapst.com

www.ebmpapst.com

Nominal data

Type	G1G146-BA07-52	
Motor	M1G074-BF	
Nominal voltage	[VDC]	24
Nominal voltage range	[VDC]	16 - 28
Type of data definition		rfa
Speed	[min ⁻¹]	2200
Power input	[W]	100
Current draw	[A]	5.0
Min. ambient temperature	[°C]	-25
Max. ambient temperature	[°C]	+60

ml = max. load me = max. efficiency rfa = running at free air cs = customer specs cu = customer unit
Subject to alterations

EC centrifugal fan

forward curved, single net
with housing (fan)

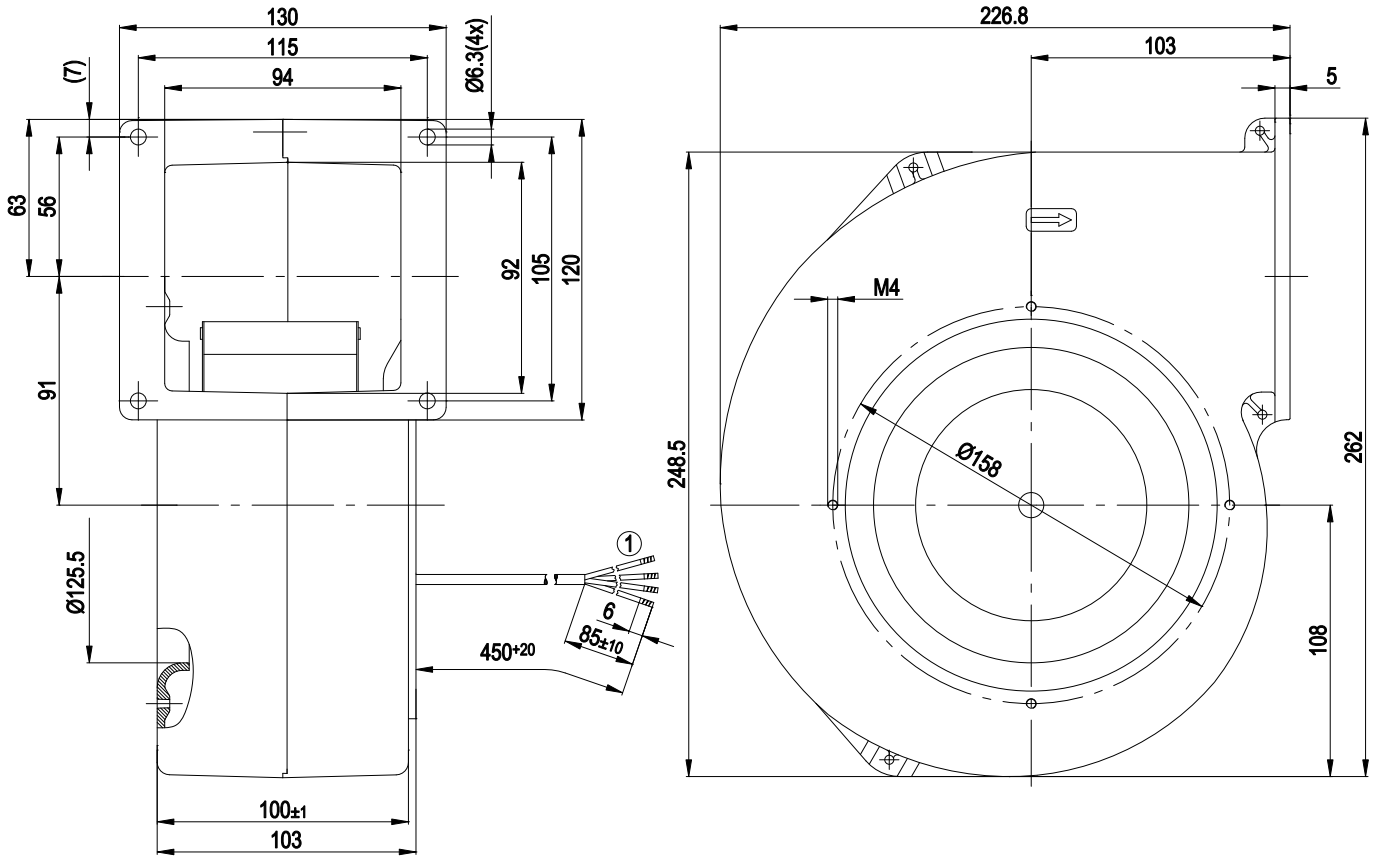
Technical features

Size	146 mm
Operation mode	S1
Direction of rotation	Clockwise seen on rotor
Mounting position	Any
EMC interference emission	Acc. to EN 55022 (Class B)
EMC interference immunity	Acc. to EN 61000-6-2 (industrial environment)
Humidity class	F0
Insulation class	"B"
Cable exit	Axial
Condensate discharge holes	None
Motor bearing	Ball bearing
Mass	2.8 kg
Housing material	Die-cast aluminium
Material of impeller	Sheet steel hot-galvanised
Motor protection	Reverse polarity and locked-rotor protection
Product conforming to standard	EN 60950-1
Type of protection	P 42
Technical features	<ul style="list-style-type: none"> - Tach output - Motor current limit - Soft start - Control input 0-10 VDC / PWM
Max. permissible ambient motor temp. (transp./ storage)	+80 °C
Min. permissible ambient motor temp. (transp./storage)	-40 °C
Approval	CSA C22.2 Nr 77 UL 1004-1

EC centrifugal fan

forward curved, single net
with housing (fan)

Product drawing

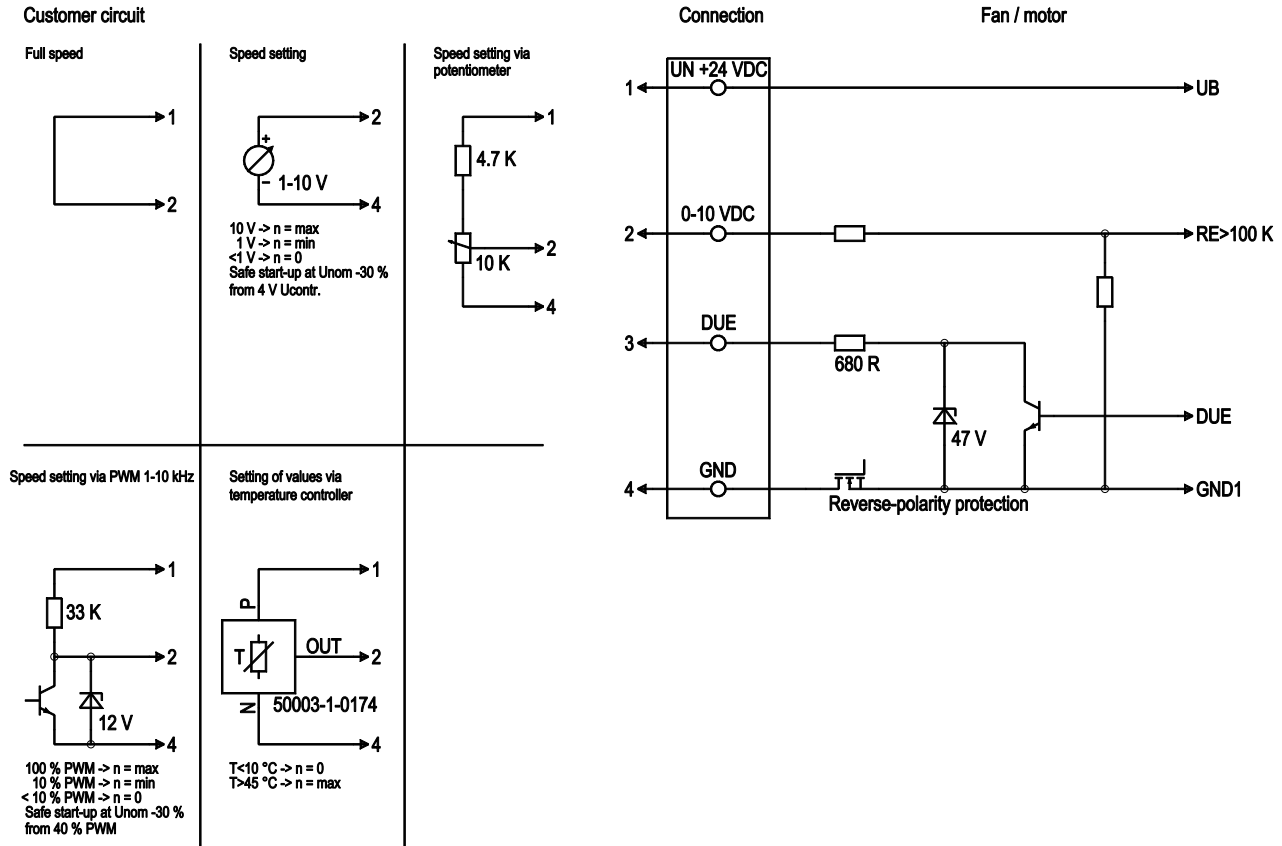


1 Connection line AWG20 4 x brass lead tips crimped

EC centrifugal fan

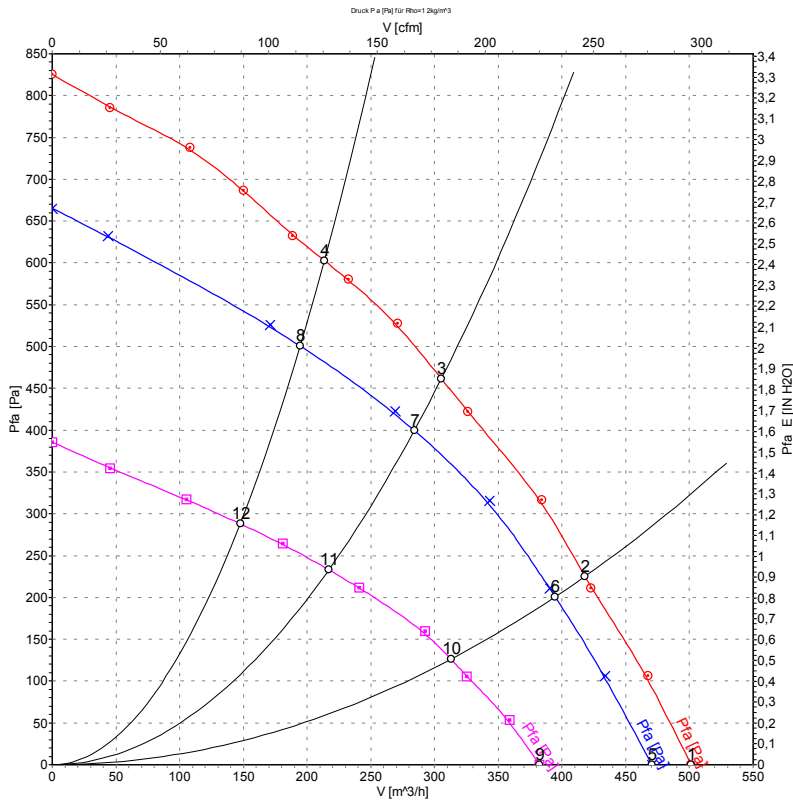
forward curved, synchronous
with housing (fan)

Connection screen



Line	No.	Signal	Colour	Function / assignment
1	1	Un +24 VDC	red	Power supply 24 VDC residual ripple 3.5 %
1	2	0-10 VDC	yellow	Control input Re > 100 K
1	3	DUE	white	Speed monitoring output 3 pulses per rotation sink max = 10 mA
1	4	GND	blue	Reference mass

Charts: Air flow



Measurement: LU-49675
 Measurement: LU-49674
 Measurement: LU-49676

Measured values

	U	n	P ₁	I	\hat{V}	p _{fa}
	[V]	[min ⁻¹]	[W]	[A]	[m ³ /h]	[Pa]
1	28	2350	124	5.54	500	0
2	28	2585	118	5.03	420	224
3	28	2955	110	4.48	305	461
4	28	3275	101	4.00	215	603
5	24	2200	100	5.00	470	0
6	24	2425	98	4.67	395	200
7	24	2745	88	4.09	285	400
8	24	3000	76	3.49	195	500
9	16	1810	56	3.90	380	0
10	16	1950	50	3.45	315	126
11	16	2140	42	2.90	215	233
12	16	2295	36	2.55	150	288